

QSI LASER DIODE SPECIFICATIONS FOR APPROVAL

Customer :.

Model : QL68I6S-A/B/C

Signature of Approval

Approved by _____

Checked by _____

Issued by _____

Approval by Customer



QSI Co., Ltd.

315-9, Cheonheung-ri, Sungger-eup,
Cheonan-city, Chungnam, Korea 330-836

WWW.QSILaser.com

QL68I6S-A/B/C

InGaAlP Laser Diode

Quantum Semiconductor International Co., Ltd.

Ver. 1 MAR. 2011

◆ OVERVIEW

QL68i6S-A/B/C is a MOCVD grown $0.68\mu\text{m}$ band InGaAlP laser diode with quantum well structure. It's an attractive light source, with a typical light output power of 30mW for optoelectronic devices such as Industrials.

◆ APPLICATION

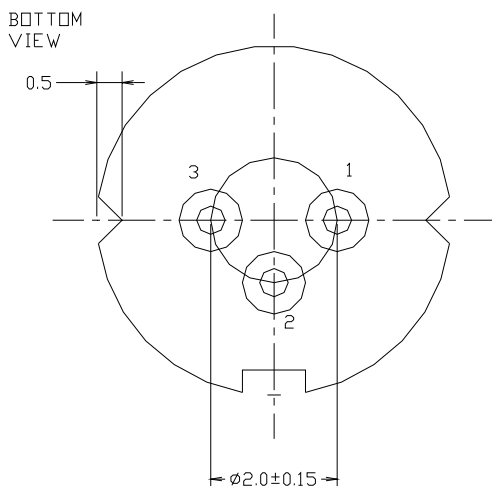
- Industrials
- Laser Module

◆ FEATURES

- Visible Light Output : $\lambda_p = 685 \text{ nm}$
- Optical Power Output : 30mW CW
- Package Type : TO-18 (5.6mm ϕ)
- Built-in Photo Diode for Monitoring Laser Diode

◆ ELECTRICAL CONNECTION

Bottom View



Pin Configuration

A	LD cathode, PD anode (Fig. 1)
B	LD , PD anode (Fig. 2)
C	LD anode, PD cathode (Fig. 3)

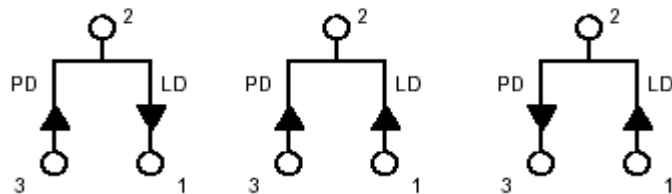


Fig. 1

QL68I6SA

Fig. 2

QL68I6SB

Fig. 3

QL68I6SC

◆ ABSOLUTE MAXIMUM RATING at Tc=25°C

Items	Symbols	Values	Unit
Optical Output Power	P	35	mW
Laser Diode Reverse Voltage	V	2	V
Photo Diode Reverse Voltage	V	30	V
Operating Temperature	Topr	-10 ~ +60	°C
Storage Temperature	Tstg	-40 ~ +85	°C

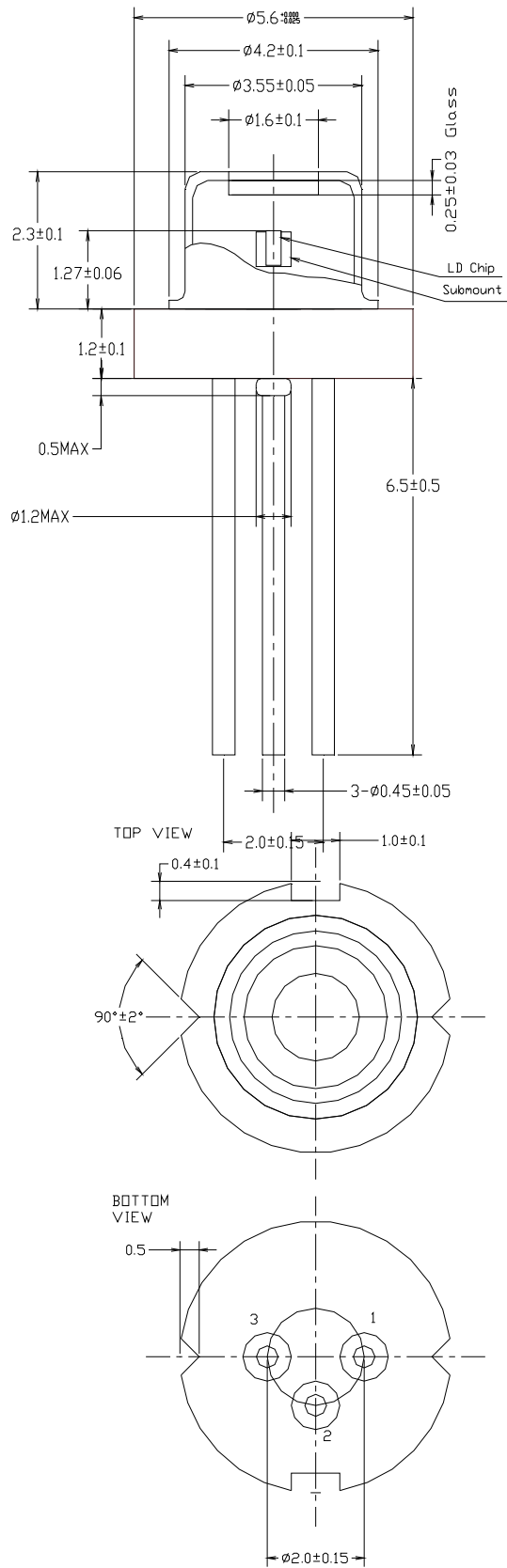
◆ ELECTRICAL and OPTICAL CHARACTERISTICS at Tc=25°C

Items	Symbols	Min.	Typ.	Max.	Unit	Condition
Optical Output Power	Po	-	30	-	mW	-
Threshold Current	Ith	-	28	60	mA	-
Operating Current	Iop	-	59	140	mA	Po=30mW
Operating Voltage	Vop	2	2.2	3	V	Po=30mW
Lasing Wavelength	λ_p	670	683	700	nm	Po=30mW
Beam Divergence	$\theta_{ }$	8	11	14	deg	Po=30mW
	θ_{\perp}	16	19	25	deg	Po=30mW
Beam Angle	$\Delta\theta_{ }$	-	-	± 2.0	deg	Po=30mW
	$\Delta\theta_{\perp}$	-	-	± 2.5	deg	Po=30mW
Monitor Current	I _m	0.05	0.4	2.5	mA	Po=30mW
Astigmatism	As			8	μm	
Optical Distance	$\Delta X, \Delta Y, \Delta Z$	-	-	± 60	μm	-

NOTICE : QL68I6S-A/B/C to be operated on APC

The above product specifications are subject to change without notice.

PACKAGE DIMENSION



◆PACKING

